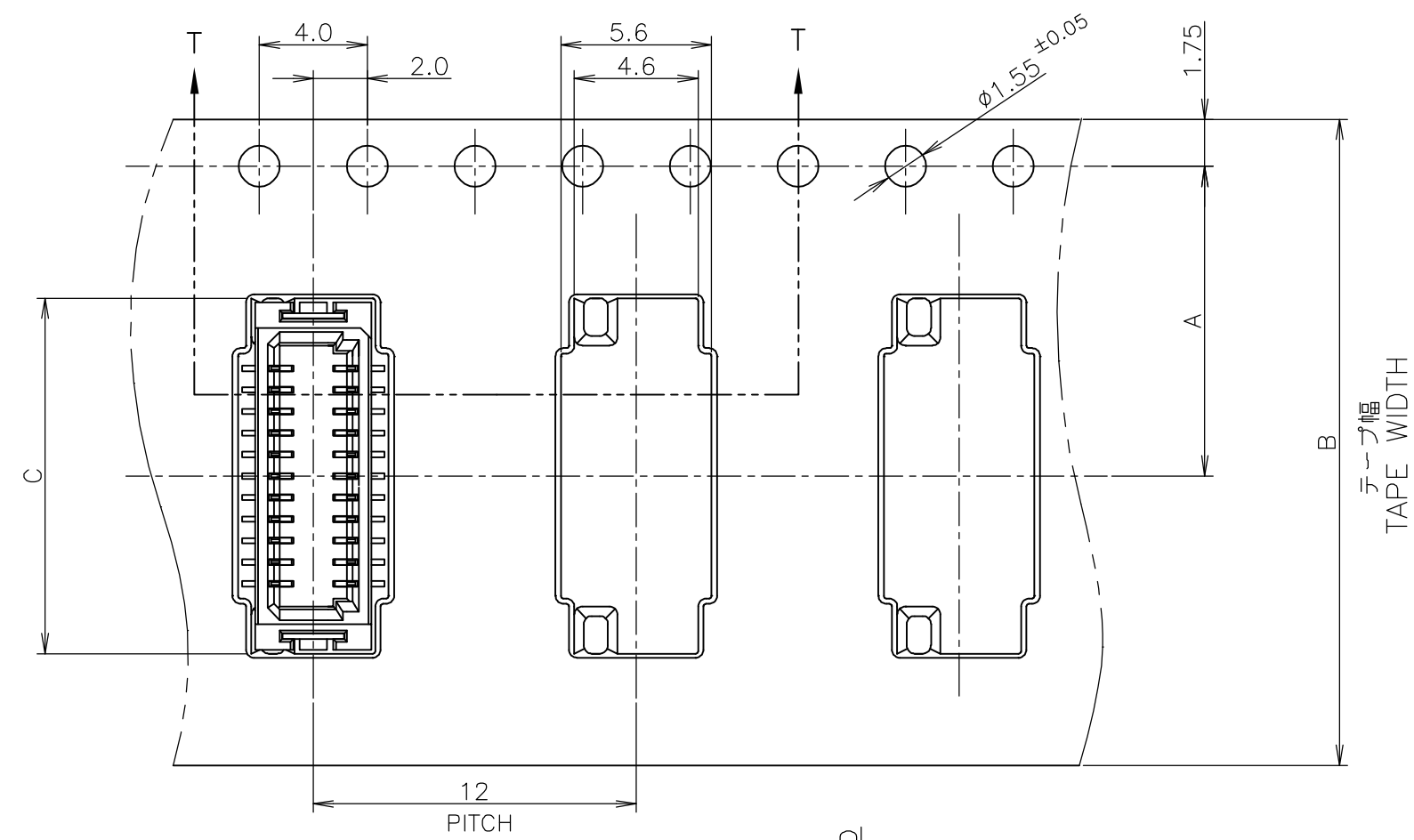


THIS DRAWING IS UNPUBLISHED. RELEASED FOR PUBLICATION DEC ,2004.
 © COPYRIGHT 2004 BY TYCO ELECTRONICS CORPORATION. ALL RIGHTS RESERVED.

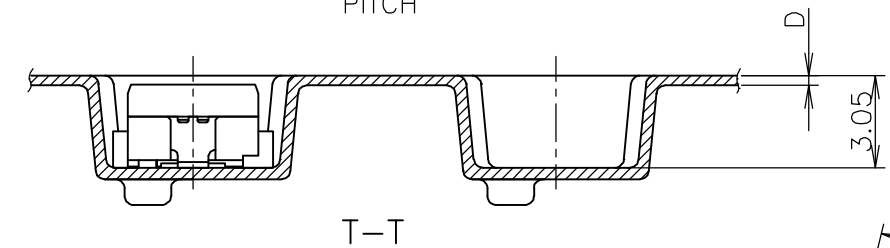
LOC	DIST	REVISIONS			DATE	DWN	APVD
		P	LTR	DESCRIPTION			
J		0		RELEASED	FJB0-1439-04	27DEC04	M.I T.K

1- -0: 本図
 1- -0: AS SHOWN

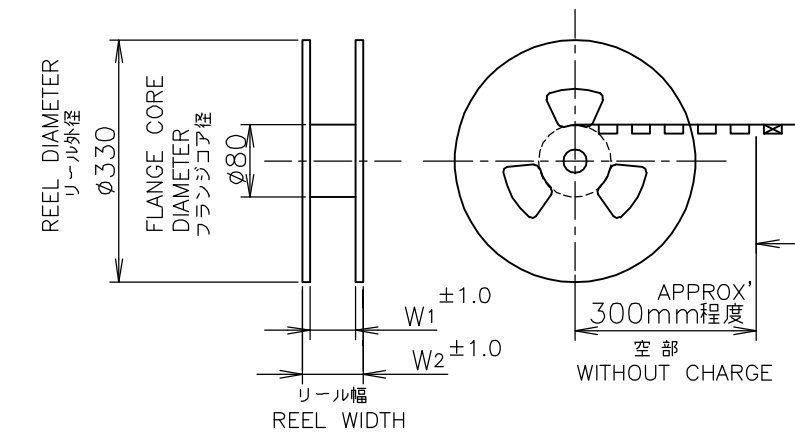


テープ幅
 TAPE WIDTH

引出し方向
 TOP OF REEL →



カバーテープ
 リーダー部
 外周一巻
 AROUND THE COVER TAPE
 PERIPHERY IN
 A TURN.
 剥離角度, 165°~180°
 PEELING ANGLE.



製品装填部
 WITH PRODUCT CHARGE
 15穴
 HOLES
 APPROX' 300mm程度
 空部
 WITHOUT CHARGE

22.0	18.0	0.5	8.4	16	7.5	100	10	1-5917407-0
W ₂	W ₁	D	C	B	A	数量 (ヶ) QTY/REEL	極数 POS	リール巻 コネクタ型番 TAPING P/N

THIS DRAWING IS A CONTROLLED DOCUMENT.

DWN M.IWASAKI 27DEC04	tyco Electronics Tyco Electronics AMP K.K. Kawasaki, Japan
CHK Y.NAKAZAWA 27DEC04	
APVD T.KUSUHARA 27DEC04	NAME 名称
PRODUCT SPEC 製品規格	ON TAPING EMBOSS 0.8mm PITCH FINE MATE CONN TAB ASSEMBLY WITH BOSS V-TYPE
APPLICATION SPEC 取付適用規格	SIZE A3
WEIGHT	CAGE CODE 00779
MATERIAL 材料	DRAWING NO 番号 C-5917407
FINISH 仕上	RESTRICTED TO

CUSTOMER DRAWING

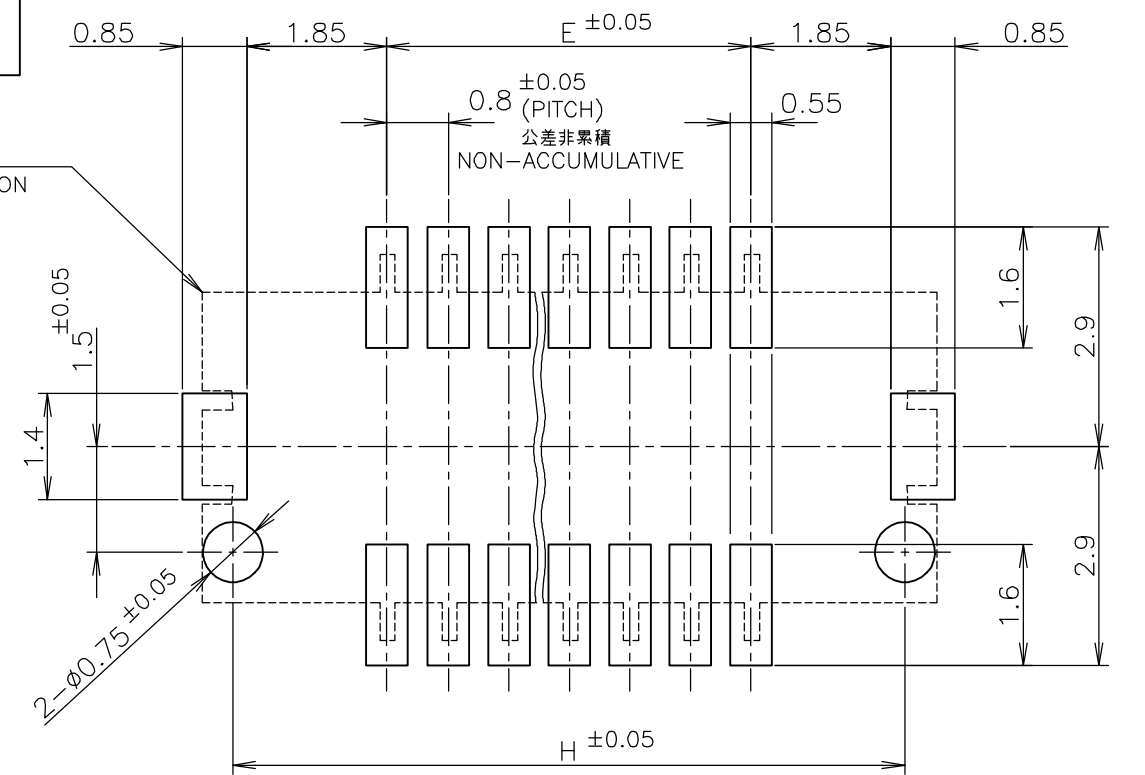
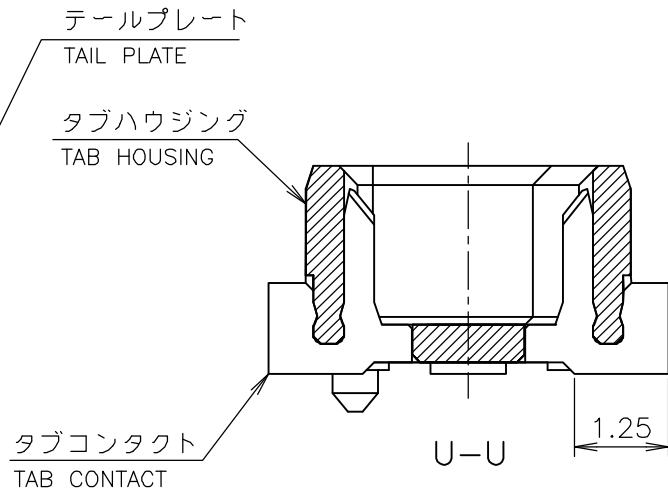
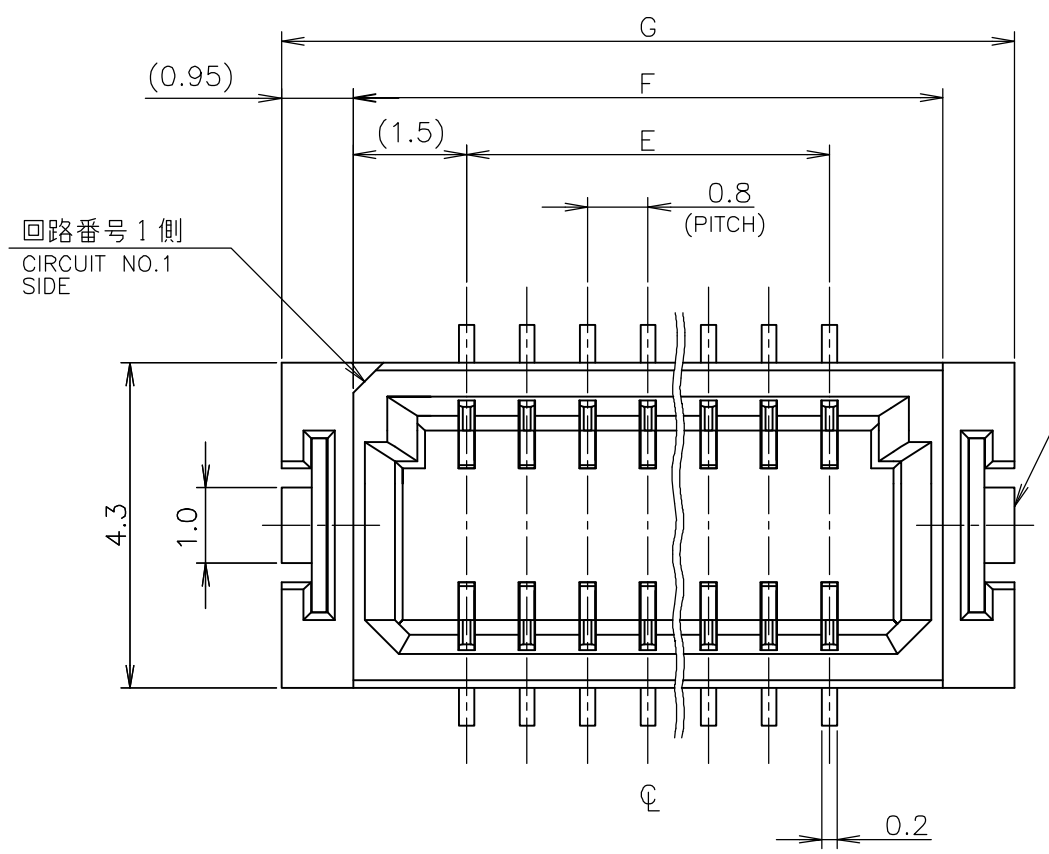
SCALE 4:1 SHEET 1 OF 4 REV 0

GENERAL TOLERANCE
 一般公差
 10 ≥ : ±0.2
 30 ≥ > 10: ±0.25
 100 ≥ > 30: ±0.3
 ANGLES: ±3'

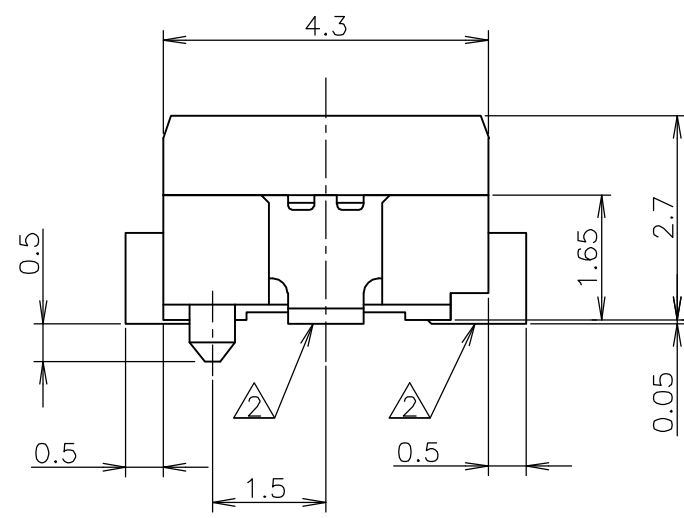
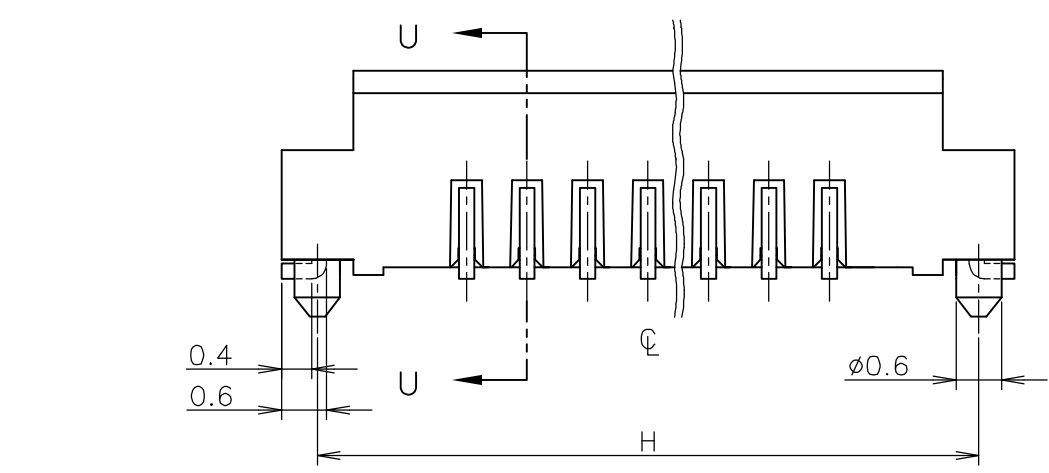
THIS DRAWING IS UNPUBLISHED. RELEASED FOR PUBLICATION DEC. 2004.
 © COPYRIGHT 2004 BY TYCO ELECTRONICS CORPORATION. ALL RIGHTS RESERVED.

P	LTR	DESCRIPTION	DATE	DWN	APVD
-	-	SEE SHEET 1	-	-	-

本図: 1- -0 コネクタ図
 AS SHOWN: 1- -0
 CONNECTOR DWG



参考基板加工寸法
 REFERENCE P.C BOARD LAYOUT



- 1 材料: タブハウジング: 46ナイロン (耐熱性樹脂)
- タブコンタクト: 銅合金 (t=0.2mm) 金めっき
- テールプレート: 銅合金 (t=0.2mm) 錫めっき

△ 全てのタイン部及びテールプレートのバラツキは 0.1mm MAX.

- 1 MATERIAL
- TAB HOUSING: 46 NYLON (HIGH HEAT-RESISTED RESIN)
- TAB CONTACT: COPPER-ALLOY (t=0.2mm) Au PLATING
- TAIL PLATE: COPPER-ALLOY (t=0.2mm) TIN PLATING

△ MISALIGNMENT BETWEEN TAINS AND TAIL PLATE: 0.1mm MAX.

GENERAL TOLERANCE
一般公差

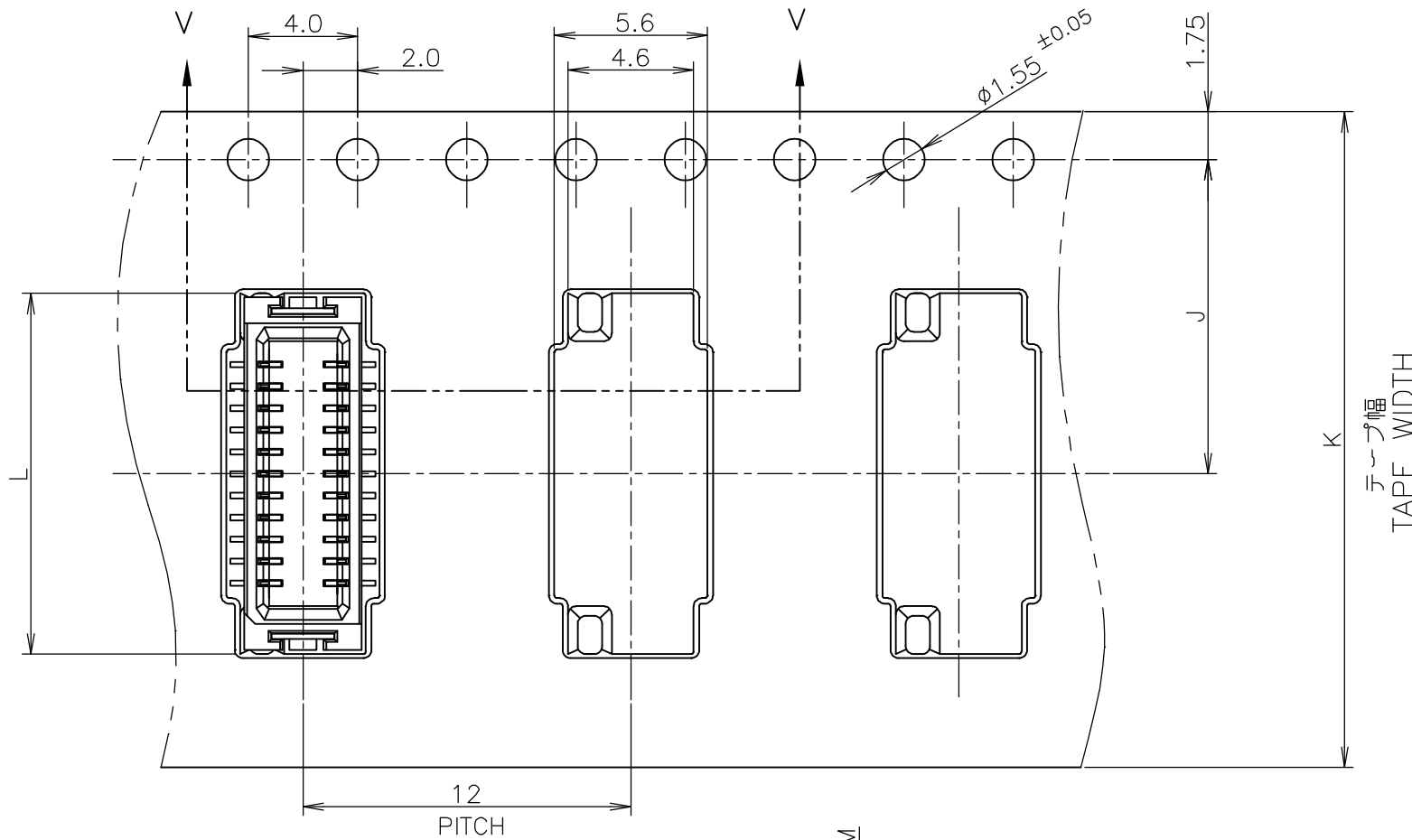
10 ≥ : ±0.2
30 ≥ > 10: ±0.25
100 ≥ > 30: ±0.3
ANGLES: ±3°

THIS DRAWING IS A CONTROLLED DOCUMENT.

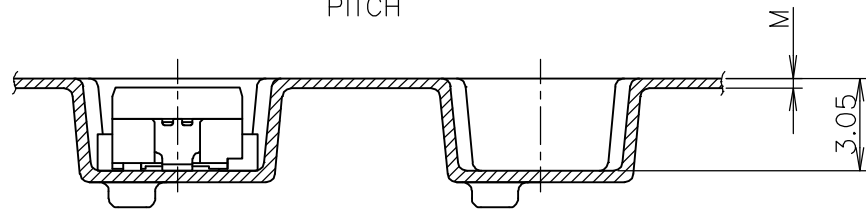
DIMENSIONS: 単位: 耗 mm	TOLERANCES UNLESS OTHERWISE SPECIFIED: 一般公差
	0 PLC ±
	1 PLC ±
	2 PLC ±
	3 PLC ±
MATERIAL 材料	4 PLC ±
	ANGLES ±
	FINISH 仕上

INSTRUCTION SHEET 取扱説明書	7.15	8.1	6.2	3.2	10	1-5917407-0
411-5808	H	G	F	E	極数 POS	型番 PART NO
DWN	Tyco Electronics AMP K.K. Kawasaki, Japan					
CHK						
APVD	NAME 名称					
PRODUCT SPEC 製品規格	ON TAPING EMBOSS 0.8mm PITCH FINE MATE CONN TAB ASSEMBLY WITH BOSS V-TYPE					
APPLICATION SPEC 取付適用規格	SIZE	CAGE CODE	DRAWING NO 番号	RESTRICTED TO		
WEIGHT	A3	00779	C-5917407	-		
CUSTOMER DRAWING	SCALE 尺度	10:1	SHEET 張	2	OF OF	4
				REV	0	

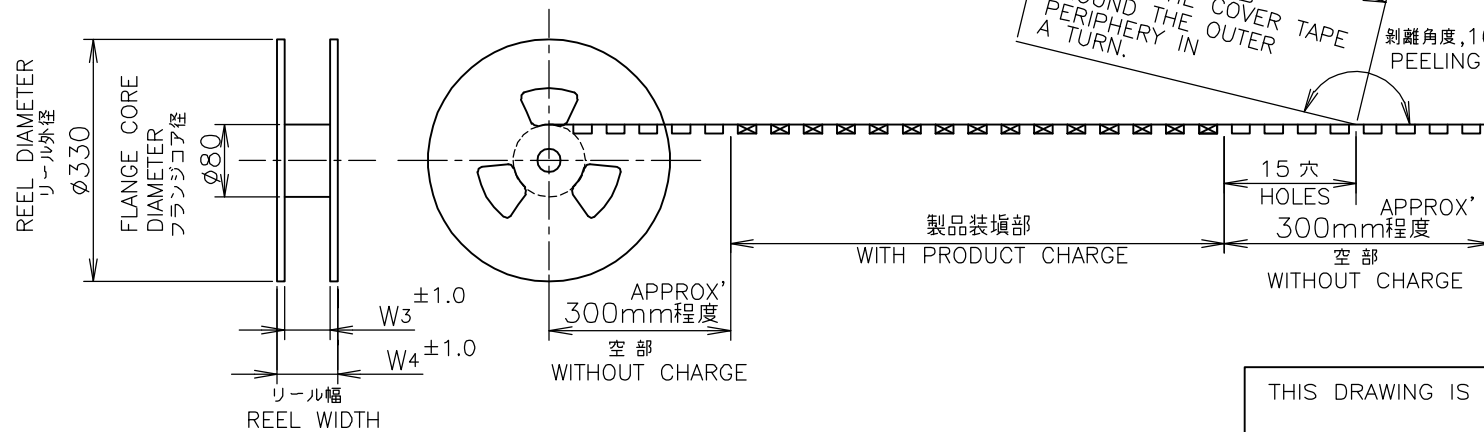
LOC	DIST	REVISIONS					
		P	LTR	DESCRIPTION	DATE	DWN	APVD
J		-	-	SEE SHEET 1	-	-	-



2- -2: 本図
2- -2: AS SHOWN



カバーテープ
リーダー部
外周一巻
WEEDING AROUND THE COVER TAPE PERIPHERY IN A TURN.
剝離角度, 165°~180°
PEELING ANGLE.



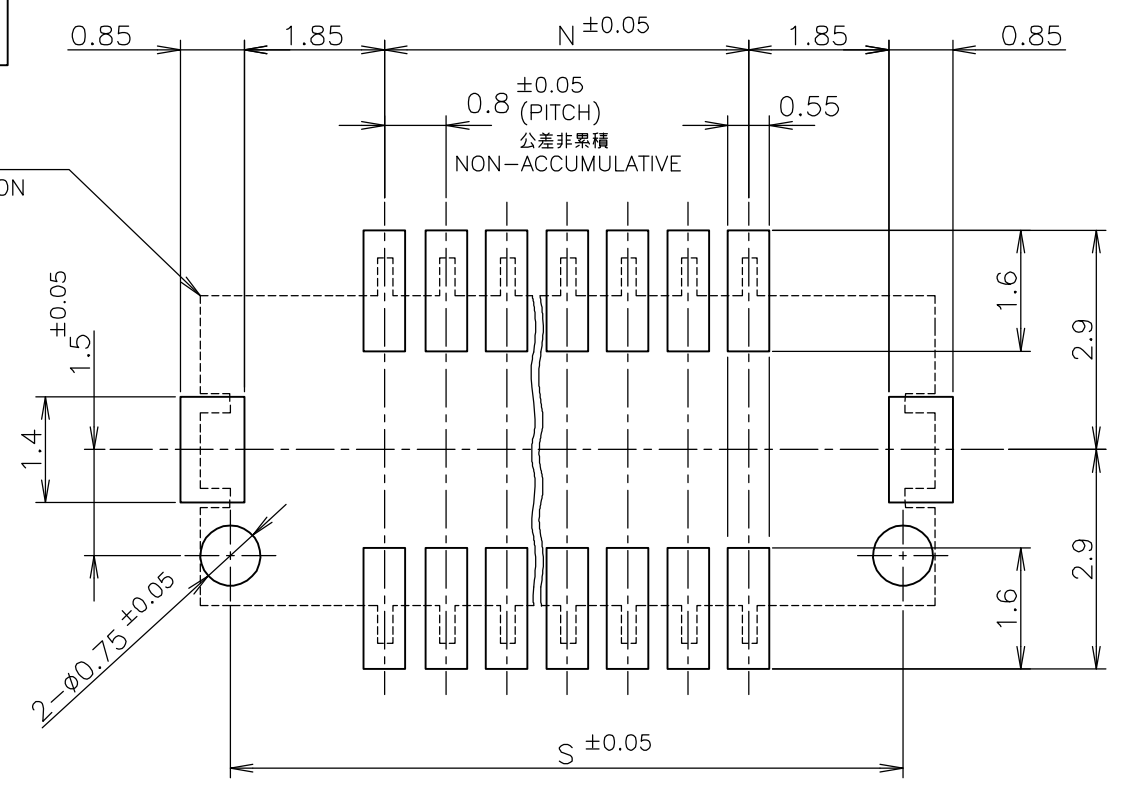
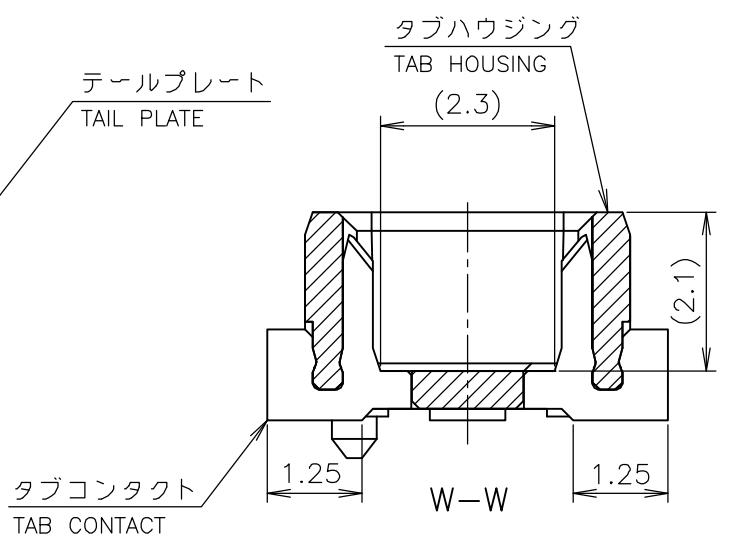
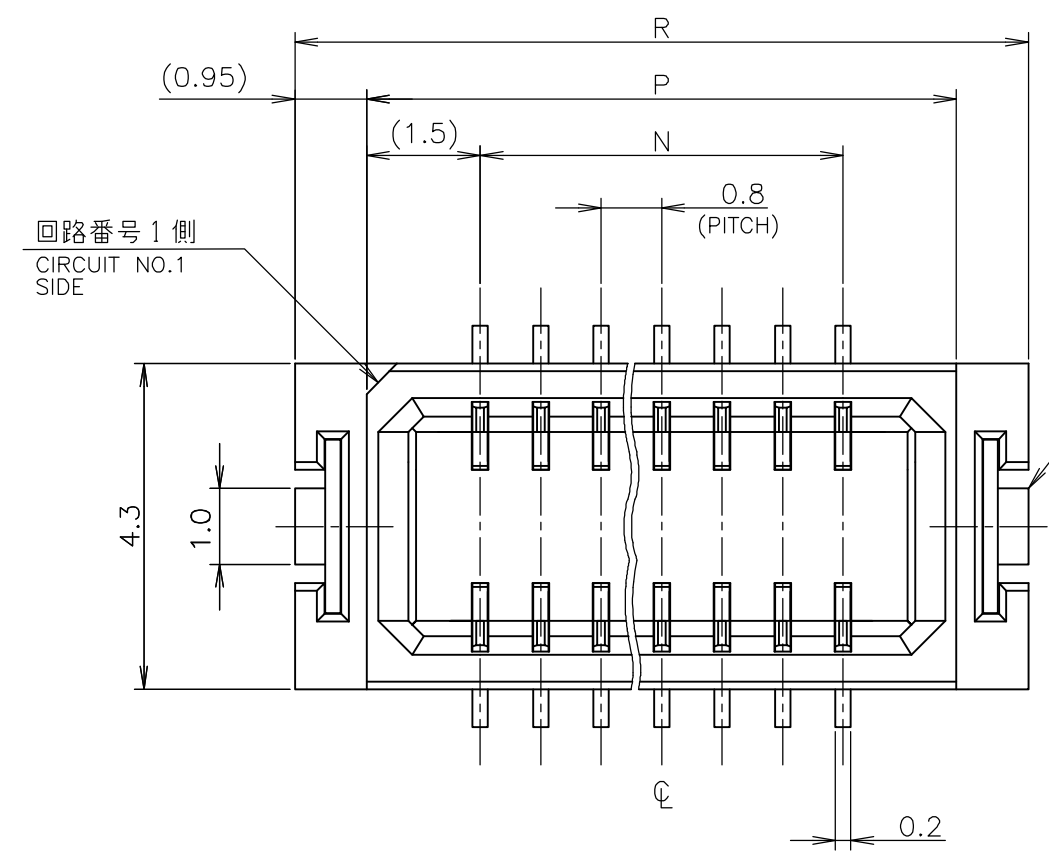
29.5	25.5	0.38	13.2	24	11.5	1000	22	2-5917407-2
W4	W3	M	L	K	J	数量 (ヶ) QTY/REEL	極数 POS	リール巻 コネクタ型番 TAPING P/N

THIS DRAWING IS A CONTROLLED DOCUMENT.		DWN	Tyco Electronics AMP K.K. Kawasaki, Japan	
DIMENSIONS: 単位: 耗 mm		CHK		
TOLERANCES UNLESS OTHERWISE SPECIFIED: 一般公差		APVD	NAME 名称	
0 PLC ± 1 PLC ± 2 PLC ± 3 PLC ± 4 PLC ± ANGLES ±		PRODUCT SPEC 製品規格	ON TAPING EMBOSS 0.8mm PITCH FINE MATE CONN TAB ASSEMBLY WITH BOSS V-TYPE	
MATERIAL 材料		APPLICATION SPEC 取付適用規格	SIZE	RESTRICTED TO
GENERAL TOLERANCE 一般公差 10 ≥ : ±0.2 30 ≥ > 10: ±0.25 100 ≥ > 30: ±0.3 ANGLES: ±3°		WEIGHT	CAGE CODE	DRAWING NO
		CUSTOMER DRAWING		SCALE 尺度 4:1
		A3 00779 C-5917407		SHEET 3 OF 4
				REV 0

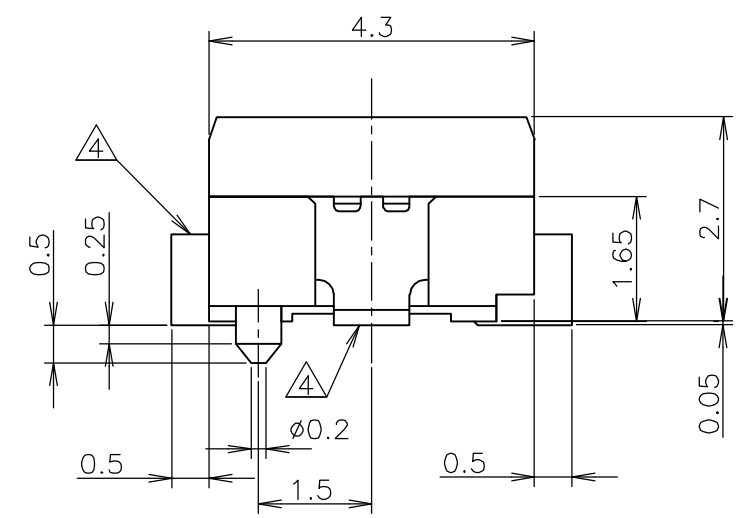
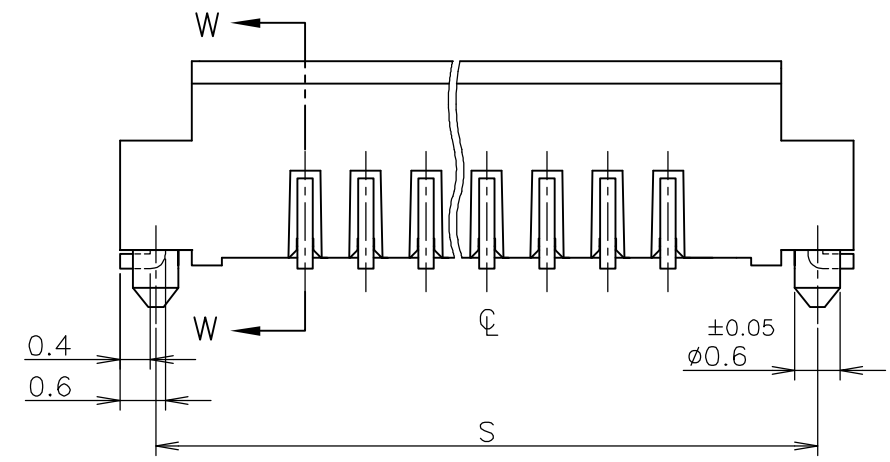
THIS DRAWING IS UNPUBLISHED. RELEASED FOR PUBLICATION DEC. 2004.
 © COPYRIGHT 2004 BY TYCO ELECTRONICS CORPORATION. ALL RIGHTS RESERVED.

LOC	DIST	REVISIONS					
J		P	LTR	DESCRIPTION	DATE	DWN	APVD
		-		SEE SHEET 1	-	-	-

本図: 2- -2 コネクタ図
 AS SHOWN: 2- -2
 CONNECTOR DWG



参考基板加工寸法
 REFERENCE P.C BOARD LAYOUT



3 材料: タブハウジング: 46ナイロン (耐熱性樹脂)
 タブコンタクト: 銅合金 (t=0.2mm) 金めっき
 テールプレート: 銅合金 (t=0.2mm) 錫めっき

△ 全てのタイン部及びテールプレートのバラツキは 0.1mm MAX.

3 MATERIAL
 TAB HOUSING: 46 NYLON (HIGH HEAT-RESISTED RESIN)
 TAB CONTACT: COPPER-ALLOY (t=0.2mm) Au PLATING
 TAIL PLATE: COPPER-ALLOY (t=0.2mm) POST TIN PLATING

△ MISALIGNMENT BETWEEN TAINS AND TAIL PLATE: 0.1mm MAX.

GENERAL TOLERANCE 一般公差

10 ≥	±0.2
30 ≥ > 10	±0.25
100 ≥ > 30	±0.3
ANGLES: ±3°	

THIS DRAWING IS A CONTROLLED DOCUMENT.

DIMENSIONS: 単位: 耗 mm	TOLERANCES UNLESS OTHERWISE SPECIFIED: 一般公差
0 PLC ±	1 PLC ±
2 PLC ±	3 PLC ±
4 PLC ±	ANGLES ±
MATERIAL 材料	FINISH 仕上

INSTRUCTION SHEET 取扱説明書	411-5808	11.95	12.9	11.0	8.0	22	2-5917407-2
DWN	CHK	S	R	P	N	極数 POS	型番 PART NO
APVD	PRODUCT SPEC 製品規格	Tyco Electronics AMP K.K. Kawasaki, Japan					
APPLICATION SPEC 取付適用規格	108-5512	ON TAPING EMBOSS 0.8mm PITCH FINE MATE CONN TAB ASSEMBLY WITH BOSS V-TYPE					
WEIGHT	SIZE	CAGE CODE	DRAWING NO 番号	RESTRICTED TO			
CUSTOMER DRAWING	A3	00779	C-5917407	-			
SCALE 尺度		10:1		SHEET	4	OF	4
REV		0					